

# Multifunction: BCD, Counter, Tachometer, etc



**57 mm high digits. Industrial environment  
Readable from up to 25m  
1 o 2 displaying sides.**

## Application field

Easy to configure for wide range of applications. PNP, NPN or contact 12 a 24V DC inputs.  
Digital control from PLC, counter, tachometer, chronometer, timer and binary control.

## Colour option

Available for models DN-109 and DN-119. It lets you to choose the display colour depending on the input value.  
The valid colours are: Red, green and yellow.



## Serial line option

The serial line option (RS-232C/RS-485) lets you to program or to read actual display value. The available parameters are: Baud rate, Parity, Data bits, Stop bits and Display address.

## Dual relay output option

Two programmable relay output are available. Selectable HI or LO . Delay time or hysteresis adjustable.

## Option to display the measures units

Several measure units can be permanently displayed: Kg, Tm, °C, mV, m/s, l/s, or any other unit, as the consumer desires, up to three characters.

## General specifications

|                                             |                                                 |
|---------------------------------------------|-------------------------------------------------|
| Numeric display Height                      | 57mm                                            |
| Unity of mesures text Height (optional)     | 45mm                                            |
| Viewing                                     | 30 meters                                       |
| Characters distribution                     | 0 a 9, A,B,C,D [space]                          |
| Maximum environmental lighting              | 1000 lux                                        |
| Maximum environmental lighting. Models (eh) | No applicable                                   |
| Colour. Red/Green/Yellow                    | Applicable                                      |
| Power supply                                | 88 to 264 VAC 47 to 63Hz. Option 24VCC          |
| Nº of displaying sides                      | One or two                                      |
| Box                                         | Aluminium extruded                              |
| Assembly by lateral supports                | Wall or suspension mounting                     |
| Digital inputs                              | 14 PNP, NPN or contact inputs from 12 to 26Vcc. |
| Parameter programming                       | By pushbuttons                                  |
| Options                                     | Two outputs relay.                              |
| Operating temperature                       | -20° to 60°C                                    |
| Storage temperature                         | -30° to 70°C                                    |
| Protection level                            | IP41 (option IP65)                              |

## FUNCTIONS

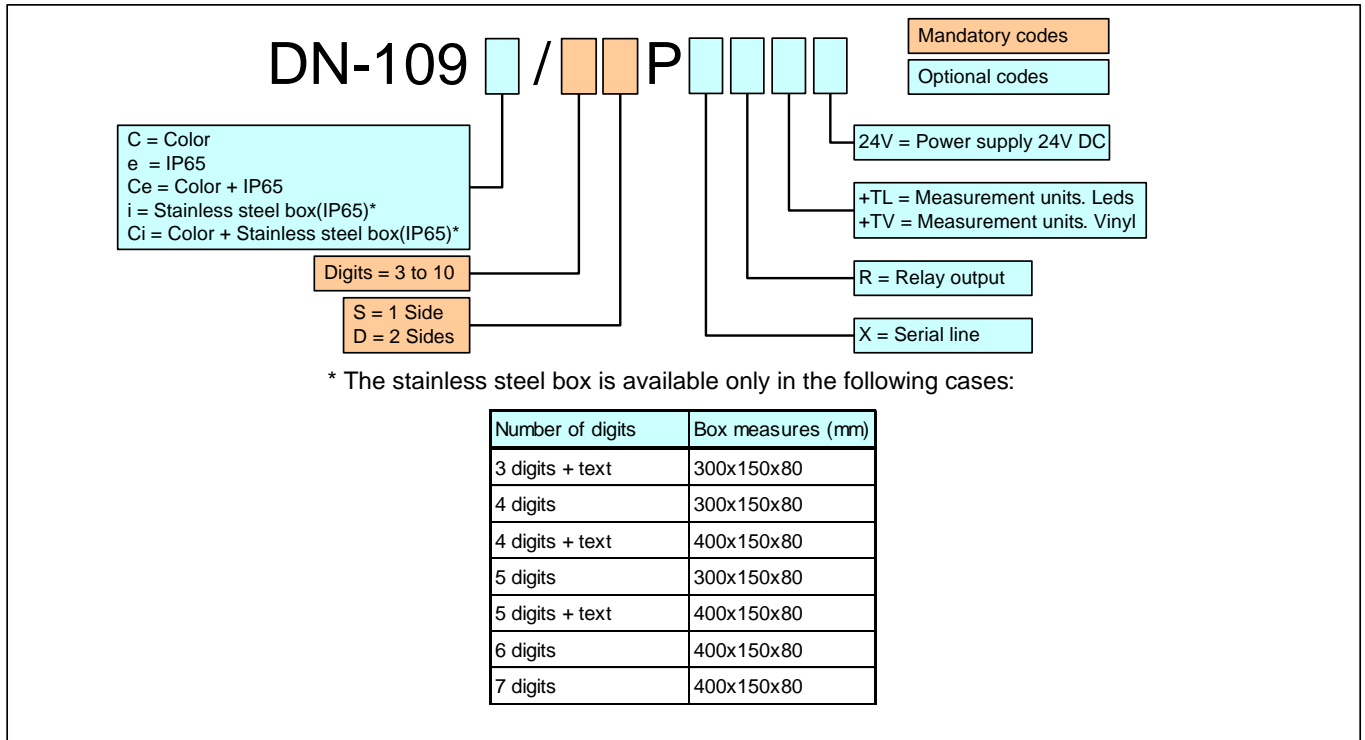
|                 |                                                   |
|-----------------|---------------------------------------------------|
| Multiplexed BCD | 9 bits. From 3 to 10 digits models.               |
| Direct BCD      | 14 bits. Only 3 digits                            |
| Counter         | Multiplier and divisor. Maximum frequency 10kHz   |
| Tachometer      | Display value adjustable. Maximum frequency 15kHz |
| Chronometer     | Hour and minutes or Minutes and seconds           |
| Binary          | 14 bits. From 0 to 16383                          |

## Dimensions

|         |   |   |   |   |   |   |   |    |
|---------|---|---|---|---|---|---|---|----|
| Dígitos | 3 | 4 | 5 | 6 | 7 | 8 | 9 | 10 |
|---------|---|---|---|---|---|---|---|----|

|                           |                       |     |                      |     |     |     |     |     |
|---------------------------|-----------------------|-----|----------------------|-----|-----|-----|-----|-----|
| <b>DN-109</b>             | <b>Height = 122mm</b> |     | <b>Depth = 120mm</b> |     |     |     |     |     |
| Width in mm               | 288                   | 288 | 288                  | 336 | 382 | 430 | 478 | 526 |
| Width + Option text in mm | 288                   | 336 | 382                  | 430 | 478 | 526 | 574 | 622 |

## Reference composition



## EXAMPLES:

### DN-109/4DP

4 digits, DN-109 series display, two sides.

### DN-109Ce/6SP

6 Digits, DN-109 series, one side.

Red/green/yellow colour display digits. Protection degree IP65.

### DN-109e/5SPR+TL rpm

5 digits, DN-109 series display, one side. Relay option.

Text option: rpm.

Protection degree IP65.